

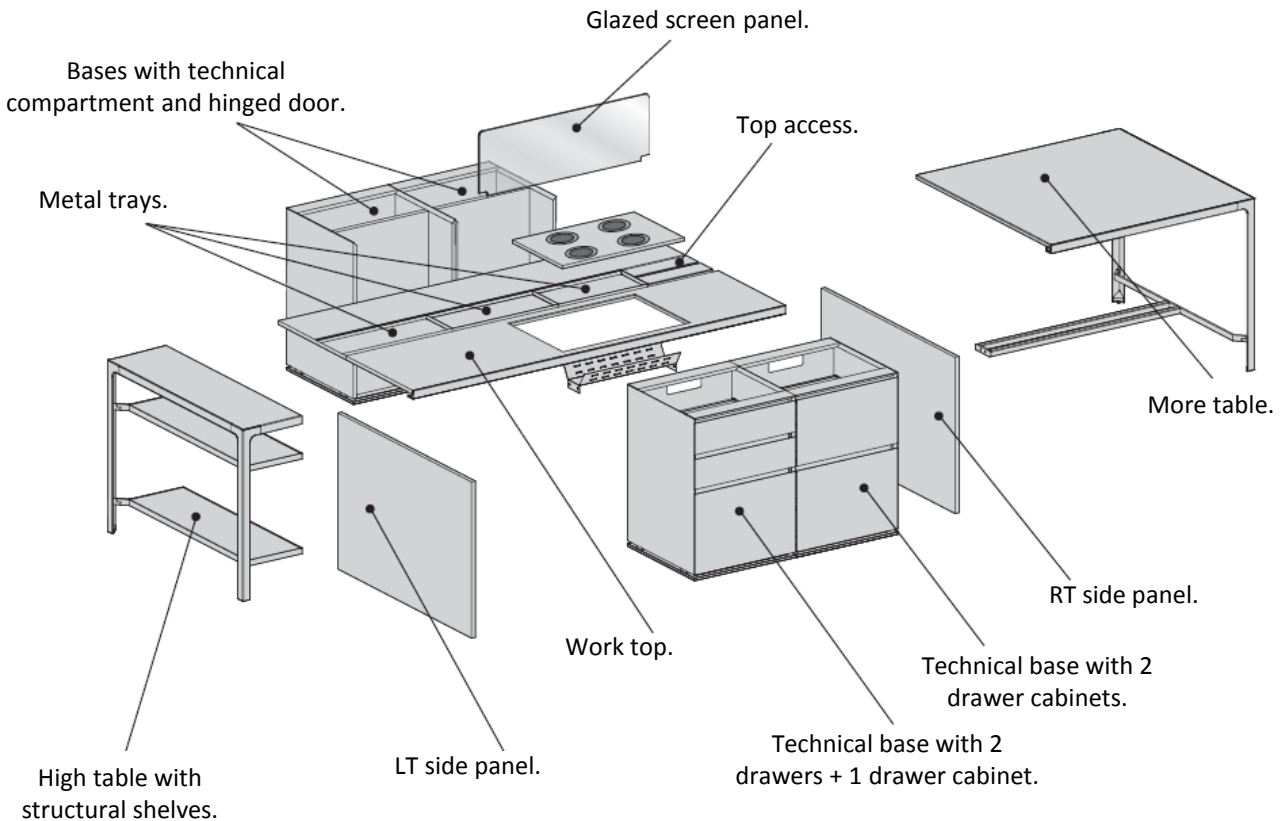
Product: PARTY ISLAND

Party kitchen Island consists of a large H90 (35''3/8) More table, with depth 120 cm (47''1/4), that can be used for different purposes, such as meeting people, having a coffee break or dining, with the possibility to house small appliances. The central part can be equipped with sink, cooker metal trays and glazed screen panel. On the two sides, the table can be equipped with hinged door storage bases with drawers and drawer cabinets or technical bases for appliances housing.

Party kitchen Island is provided with wiring system, easy accessible thanks to the top access, for power feeding and connection. *Party Island*, combined with wall-hung Buffet with columns, can become a real kitchen, suitable also for home furnishing.

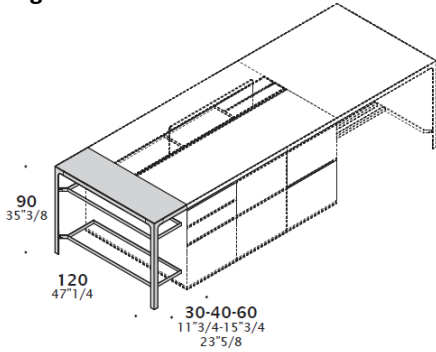


ELEMENTS



TECHNICAL FEATURES AND DIMENSIONS

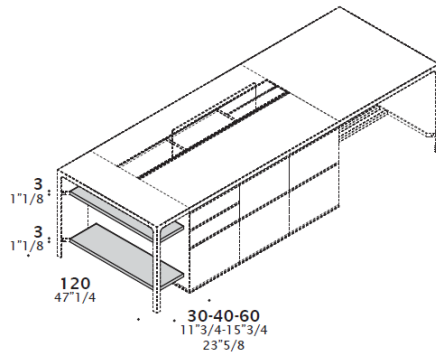
High table with shelves



Options:
 H 90 + W 30 + D 120
 H 90 + W 40 + D 120
 H 90 + W 60 + D 120

Finishes :
 Laminate
 Stainless Steel
 Ceramic
 Back lacquered etched glass

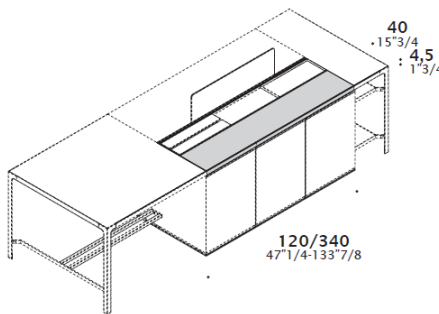
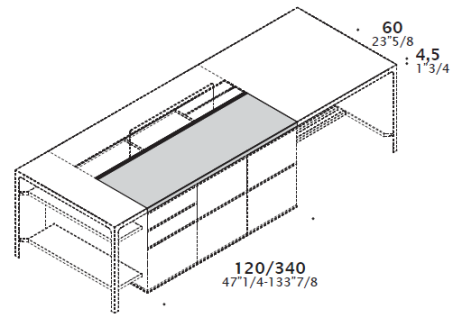
Two shelves



Options:
 W 30 + D 120, th. 3 cm
 W 40 + D 120, th. 3 cm
 W 60 + D 120, th. 3 cm

Finishes:
 Melamine
 Laminate
 Sablé lacquered
 Veneer
 Ceramic

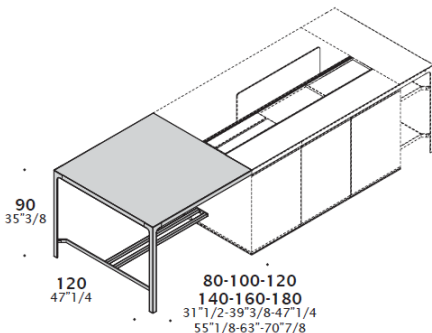
Work tops (sides A - B)



Options:
 120, 140, 160, 180, 200, 220, 240, 260, 280, 300, 320, 340 width options are all combinable with 60 cm depth (side A) or 40 cm depth (side B) and th. 4,5 cm (A - B).

Finishes:
 Laminate
 Stainless Steel
 Ceramic
 Back lacquered etched glass

Dining table

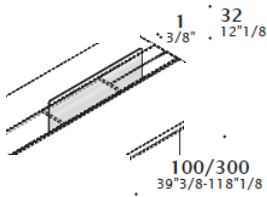


Options:
 80, 100, 120, 140, 160, 180 width options are all combinable with D 120 cm and H 90 cm.

Finishes:
 Laminate
 Stainless Steel
 Ceramic
 Back lacquered etched glass

ACCESSORIES for island

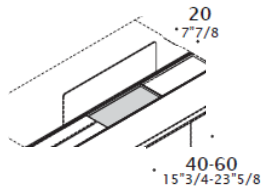
Screen panel



Options:
100, 120, 140, 160, 180, 200, 220, 240, 260, 280, 300 width options are all combinable with H 32 cm and th. 1 cm

Finishes:
Back lacquered etched glass

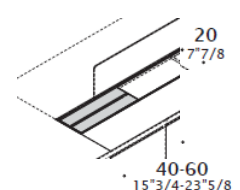
Metal tray (for side B top)



Options:
W 40, D 20
W 60, D 20

Finishes:
Varnished metal
Luxury metal

Top access (for side B top)

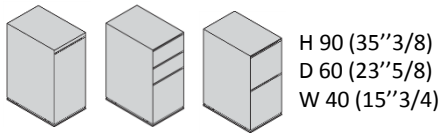


Options:
W 40, D 20
W 60, D 20

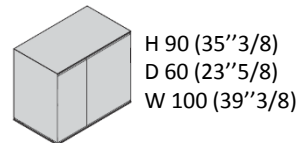
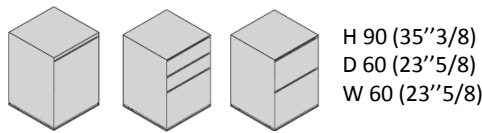
Finishes:
Laminate
Stainless Steel
Ceramic
Back lacquered etched glass

SIMPLE BASES AND ACCESSORIES

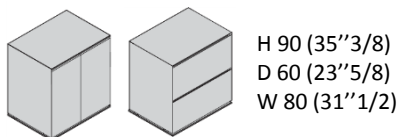
Finishes: Melamine, Sablé lacquered, Veneer



Hinged door / 2 drawers + 1 drawer cabinet / 2 drawer cabinets



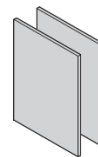
Hinged doors



Hinged door / 2 drawer cabinets

SIDE PANELS for simple bases

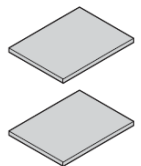
W 120 (47 1/4)



For each composition with one or more bases.
Also used as back panels.

SHELVES for simple bases

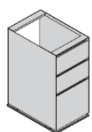
W 40 (15 3/4)
W 60 (23 5/8)
W 80 (31 1/2)
W 100 (39 3/8)



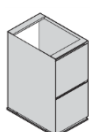
Finishes: Melamine, Laminate, Sablé lacquered, Veneer, Ceramic.

TECHNICAL BASES AND ACCESSORIES

Finishes: Melamine, Sablé lacquered, Veneer

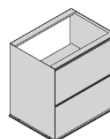


For cooker.

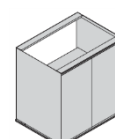


For cooker and sink.

H 90 (35 3/8)
D 60 (23 5/8)
W 40 (15 3/4)

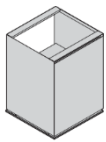


For cooker.

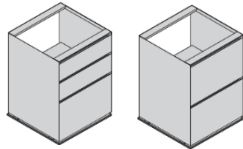


For cooker and sink.

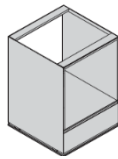
H 90 (35 3/8)
D 60 (23 5/8)
W 80 (31 1/2)



For cooker and sink.



For cooker.



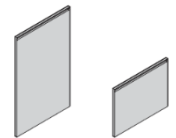
For dishwasher and oven.



For compact oven or micro fridge drawer.

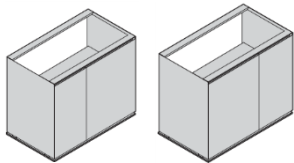


For fridge.



Hinged door for fridge, dishwasher or micro fridge drawer.

H 90 (35''3/8) - D 60 (23''5/8) - W 60 (23''5/8)

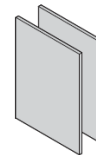


For cooker and sink.

H 90 (35''3/8)
D 60 (23''5/8)
W 100 (39''3/8)

SIDE PANELS for technical bases

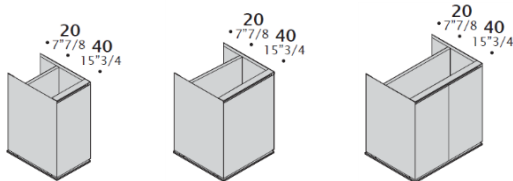
W 120 (47''1/4)



For each composition with one or more bases.
Also used as back panels.

TECHNICAL BASES WITH COMPARTMENT

Finishes: Melamine, Sablé lacquered, Veneer

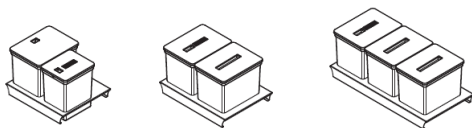


H 90 (35''3/8)
D 60 (23''5/8)
W 40 (15''3/4) / W 60 (23''5/8) / W 80 (31''1/2)

To be included for hydroelectric appliances housing.

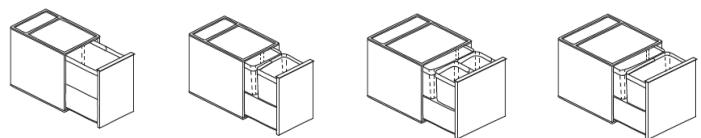
ACCESSORIES for all bases

Dustbin set for drawer cabinets.



W40 (15''3/4) W60 (23''5/8) W80 (31''1/2)

Dustbin set for hinged door.

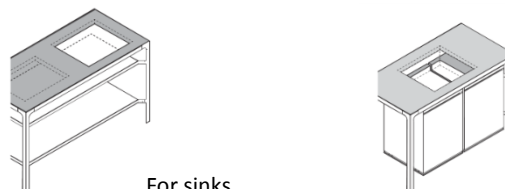


21 LT 10+10 LT 10+10+16 LT 16+21 LT

Electrification - multi-socket.



Hole for appliances predisposition.



For sinks and cookers.

For insertion between two bases.

FINISHES

Work tops/dining table/high tables with shelves/top access:

Laminate: White Snow, Oak, White Fenix.

Stainless Steel.

Ceramics: Calacatta Soft, Calacatta Glossy, Statuario Soft, Statuario Glossy, Walks 1.0 White, Walks 1.0 Gray, Le Roche Ecrù, Ardoise Ecrù, Ardoise Noir, Nero Marquinia, Le Roche Grey, Industrial Ivory, Industrial Plomb.

Back lacquered etched glass: White, Silver, Titanio, Brown, Alfa Red.

Two shelves/shelves for simple bases:

Melamine: UE White, Silver, Titanio, Delavè, Comfort, White Snow, Magnolia, Oak 2017, White Colour Fir.

Laminate: see finishes for tops.

Sablé lacquered, available in different sample collection colours.

Veneer: Magnolia, White Colour Fir, Nuvola stained Oak, Natural Oak 2016, American Walnut, Eucalyptus, Wengè, Zebrano Brown, Ebano.

Ceramics: see finishes for tops.

Structure:

Powder coated metal: glossy or matt White Snow, glossy UE White, glossy Silver, matt Titanio, matt Green Black, matt Brown, matt Carbon Glacè, glossy Alfa Red.

Luxury metal: Chromed, glossy Nickel Black, matt Bronze, matt Brass, matt Antique Brass, Pewter Quarz, Brunished Cobalt.

Screen panel:

Back lacquered etched glass: see finishes for tops.

Simple bases/technical bases/technical bases with compartment:

Melamine: see finishes for shelves.

Sablé lacquered, available in different sample collection colours.

Veneer: see finishes for shelves.

